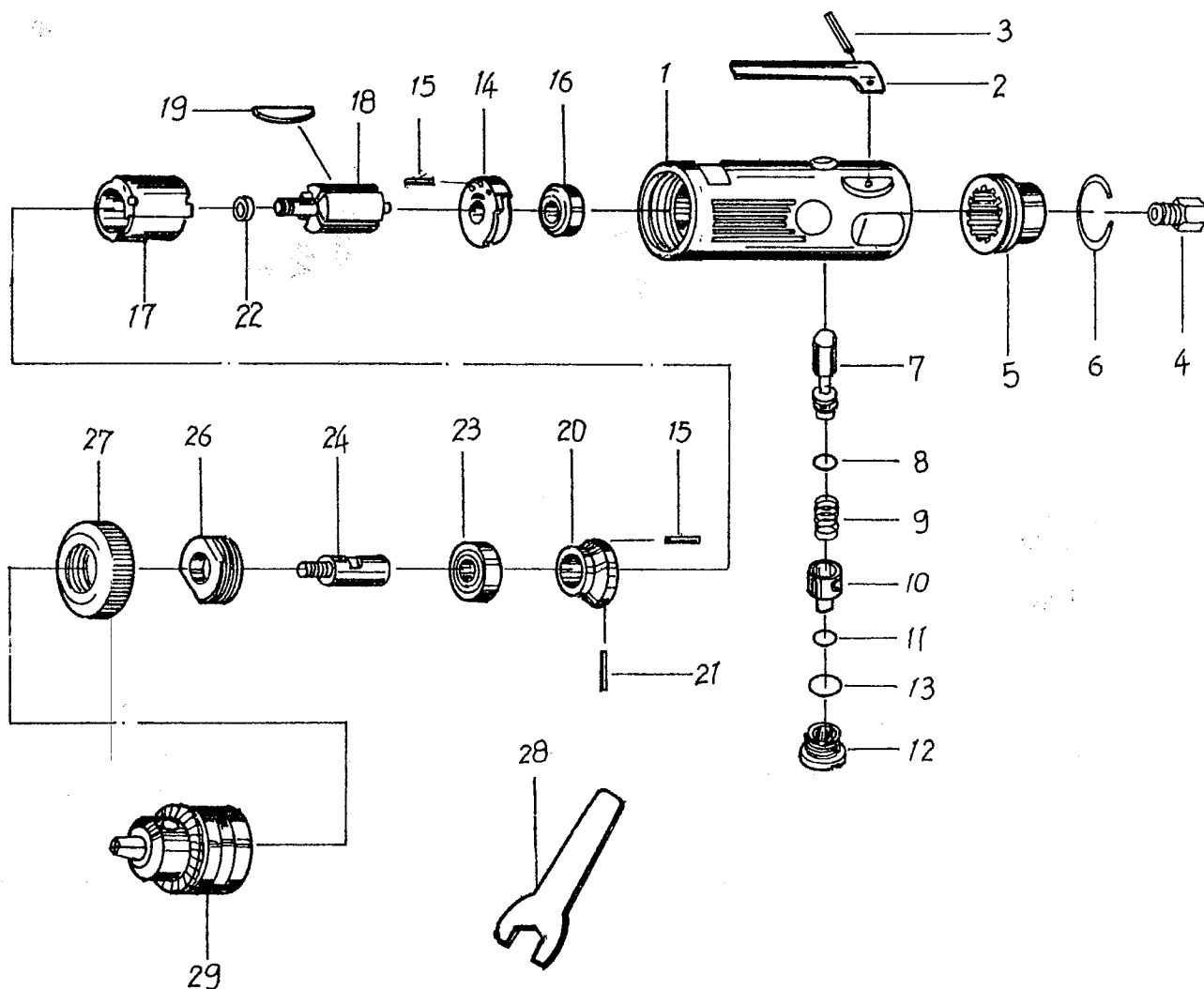


AG25D DIE GRINDER W/DRILL CHUCK



INDEX NO	PARTS NO	DESCRIPTION	Q'TY	INDEX NO	PARTS NO.	DESCRIPTION	Q'TY
1	AG2518	MOTOR HOUSING	1	16	AG2517	BALL BEARING	1
2	AG2527	THROTTLE LEVER	1	17	AG2512	CYLINDER	1
3	AG2528	THROTTLE LEVER PIN	1	18	AG2514	ROTOR	1
4	AG2532	AIR INLET BUSHING	1	19	AG2515	ROTOR BLADE	4
5	AG2529	EXHAUST SLEEVE	1	20	AG2510	FRONT END PLATE	1
6	AG2531	EXHAUST RETAINER RIN	1	21	AG2511P	PIN	1
7	AG2525	VALVE STEM	1	22	AG2513	BEARING SPACER	1
8	AG2524	O-RING	1	23	AG2509	BALL BEARING	1
9	AG2523	SPRING	1	24	AG2524D	MOTOR SPINDLE	1
10	AG2522	AIR REGULATOR STEM	1	26	AG2506	RETAINER	1
11	AG2521	O-RING	1	27	AG2505	HOUSING CAP	1
12	AG2519	VALVE SCREW	1	28	AG2528D	ROTOR SHAFT WRENCH	1
13	AG2520	O-RING	1	29	AG2529D	3/8" JACOBS CHUCK	1
14	AG2516	REAR END PLATE	1	30	AG2530D	CHUCK KEY	1
15	AG2511	PIN	1				