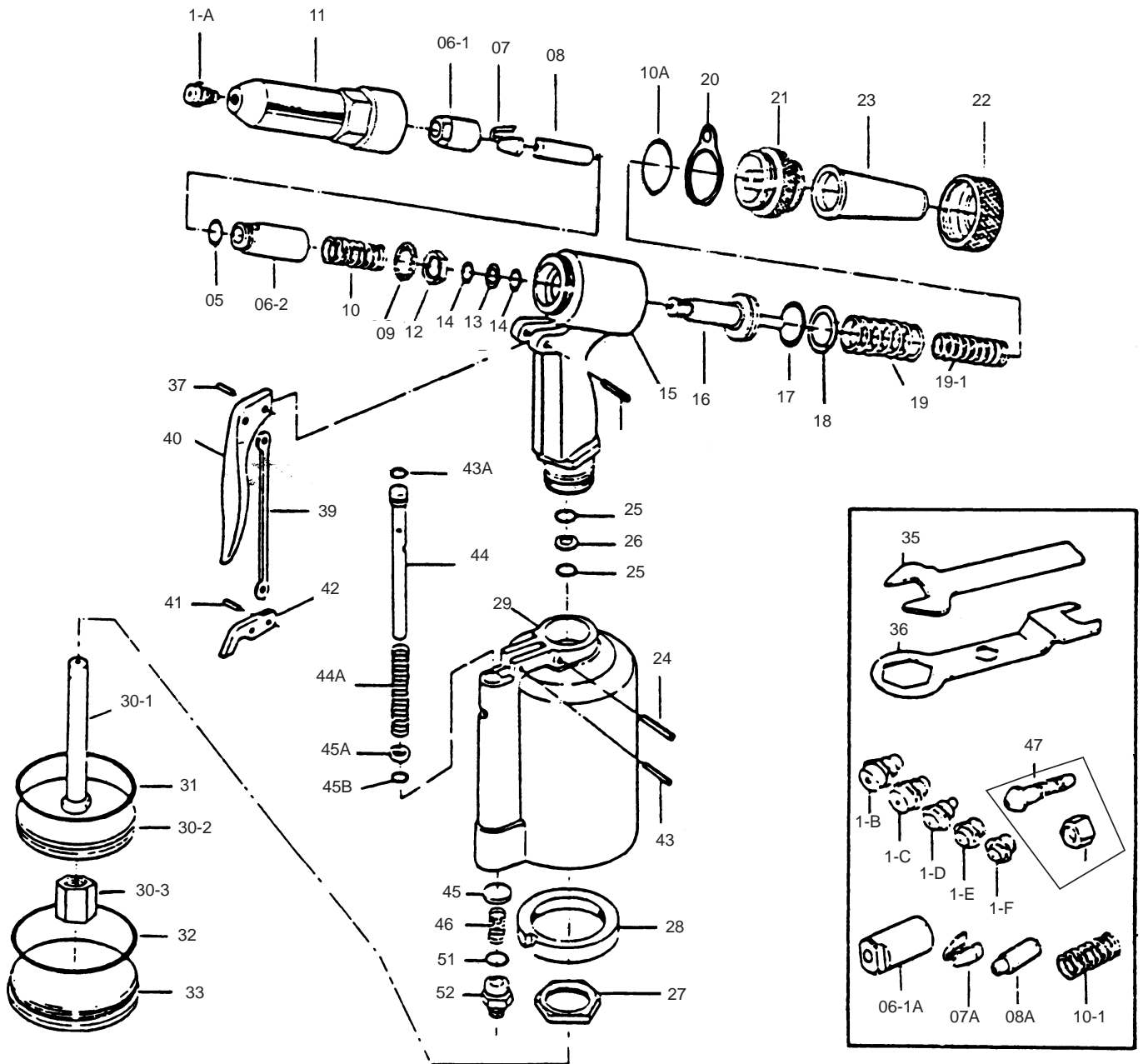


AHR274 Parts Diagram



AHR274 Parts List

Ref. #	Item #	DESCRIPTION	Ref. #	Item #	DESCRIPTION
1A	38401A	5/32" Nosepiece (optional)	24	38424	Setting Screw Pin
1B	38401B	1/8" Nosepiece (optional)	25	38325	Back-Up O-Ring
1C	38401C	3/32" Nosepiece (optional)	26	38326	Back-Up Ring
1D	38401D	1/4" Nosepiece (standard)	27	38327	Frame Lock Nut
1E	38401E	7/32" Nosepiece (optional)	28	38428	Rubber Cushion
1F	38401F	3/16" Nosepiece (optional)	29	38429R	Air Cylinder
05	38405	Jaw Case End Tart O-Ring	30-1	38430-1	Air Piston Stem
06-1	38406-1	Jaw Case Front Tart (3/32", 1/8", 5/32")	30-2	38430-2	Air Piston
06-2	38406-2	Jaw Case End Tart	30-3	38430-3	Air Piston Lock Nut
06-1A	38406-1A	Jaw Case Front Tart (1/4", 7/32", 3/16")	31	38431	Air Piston O-Ring
07	38407	Jaw (Small)	32	38432	Cylinder O-Ring
07A	38407A	Jaw (Old)	33	38433R	Cylinder Cap
08	38408	Jaw Pusher (3/32", 1/8", 5/32")	35	38435	Spanner Gauge
08A	38408A	Jaw Pusher (1/4", 7/32", 3/16")	36	38436	Spanner
09	38309	Case Washer Ring	37	38337	Trigger Pin
10	38410	Jaw Pusher Spring (5/32")	38	38438	Connector
10-1	38410	Jaw Pusher Spring (1/4")	39	38439	Trigger Rod
10A	38410A	Frame Cap O-Ring	40	38340	Trigger
11	38411	Frame Head	41	38341	Connector
12	38312	Case Lock Nut	42	38342	Trigger Lever
13	38313	Back-Up Ring	43	38443	Lever Pin
14	38314	Back-Up O-Ring	43A	38443A	Valve Pusher O-Ring
15	38415R	Frame	44	38444	Valve Pusher
16	38416	Oil Piston	44A	38444A	Valve Spring
17	38417	Oil Piston O-Ring	45	38345	Valve
18	38418	Back-Up Ring	45A	38445A	Valve Collar
19	38419	Return Spring (Old)	45B	38445B	Collar O-Ring
19-1	38419-1	Return Spring (Small)	46	38346	Valve Spring (Bottom)
20	38420	Hanging Clip	47	38447	Inlet Bushing and Nut
21	38421	Frame Cap	51	38351	Valve Cap O-Ring
22	38422	Frame Cap Nut	52	38352	Valve Cap
23	38423R	Safety Cap			

NOTE: in changing nosepieces, be sure to install the correct jaw case front tart, jaws, jaw pusher, and return spring.