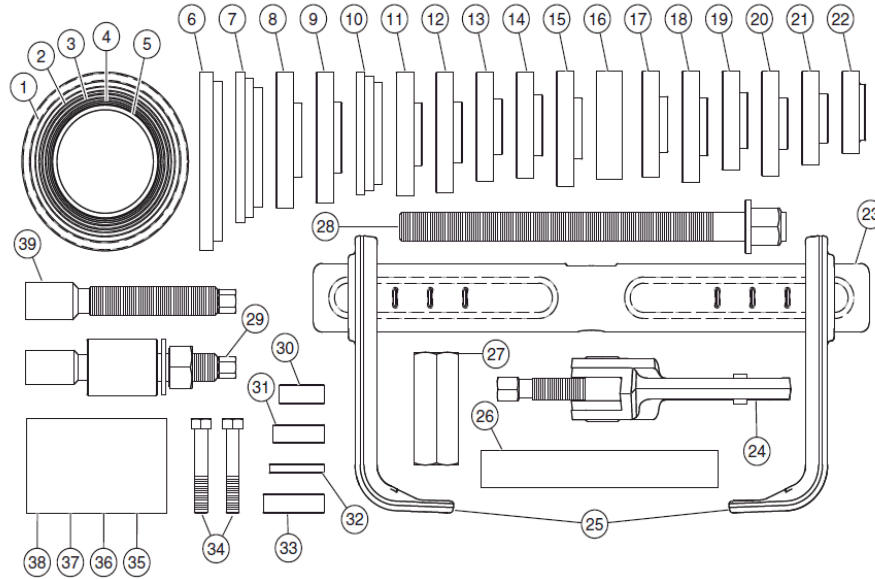


# HG6575

Adapter and Tube dimensions on page 2

Hub Grappler Kit Carrying Case Layout



11

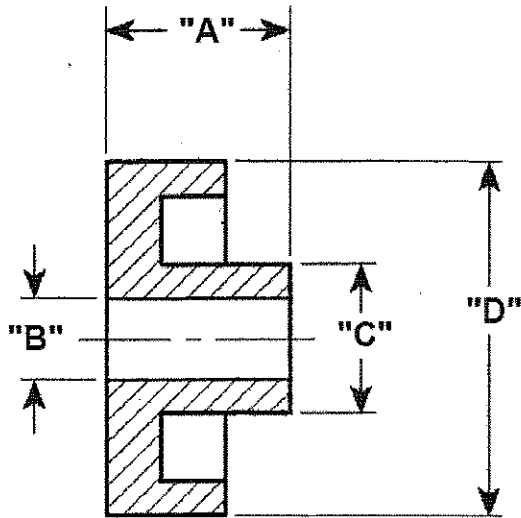
Item No.	Part No.	Item No.	Part No.	Item No.	Part No.	Item No.	Part No.	Item No.	Part No.
1	557209	9	314308	17	314305	25	555654	33	557208
2	314300	10	311884	18	311885	26	557607	34	210989
3	557210	11	314311	19	311886	27	311881	35	10204 (2)
4	311882	12	314310	20	314304	28	555656	36	523410 (1)
5	311883	13	314307	21	314302	29	7135A	37	10258 (8)
6	557212	14	314306	22	311887	30	503633	38	206747 (1)
7	314301	15	314309	23	557605	31	503634	39	314288
8	557520	16	311888	24	7503	32	503896		

Refer to any operating instructions included with the product for detailed information about operation, testing, disassembly, reassembly, and preventive maintenance.

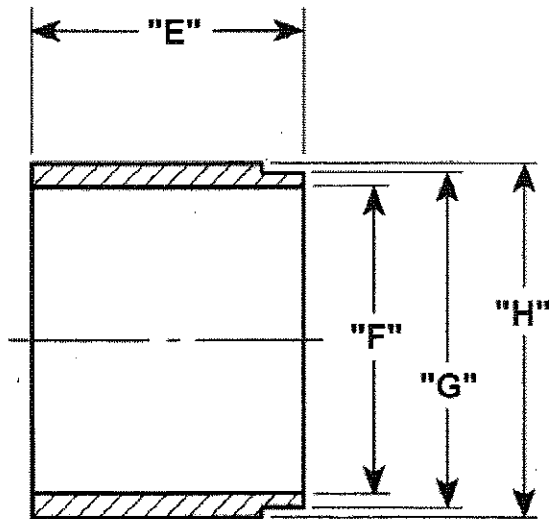
Items found in this parts list have been carefully tested and selected by OTC. Therefore: **Use genuine OTC replacement parts!**

Additional questions can be directed to our Technical Services Dept. at 1-800-533-6127.

## Adapter Dimensions and Safety Precautions



Part No.	Dim. "A"	Dim. "B"	Dim. "C"	Dim. "D"
311885	.750	.781	1.540	2.960
311886	.750	.781	1.500	2.625
311887	.680	.781	1.500	2.188
314302	.750	.781	1.310	2.500
314304	.750	.781	1.360	2.780
314305	.750	.781	1.480	2.820
314306	.750	.781	1.640	2.820
314307	.750	.781	1.480	2.900
314308	.750	.781	1.870	3.480
314309	.750	.781	1.620	3.055
314310	.750	.781	1.620	3.210
314311	.750	.781	1.670	3.290
557520	.750	.781	1.985	3.625



Part No.	Dim. "E"	Dim. "F"	Dim. "G"	Dim. "H"
311882	2.500	3.060	3.190	3.250
311883	2.500	2.750	2.955	3.000
314300	2.500	3.750	N/A	4.000
557210	2.500	3.325	N/A	3.625
557209	3.250	4.250	N/A	4.750