



Service Cart with Locking Top and Locking Drawer with Clip-On Roller Bearing Slides

ASSEMBLY INSTRUCTIONS

Step 1 Slide chrome legs (#2) into square holes cut in top and drawer unit (#1) until bolt holes are aligned at top of legs.

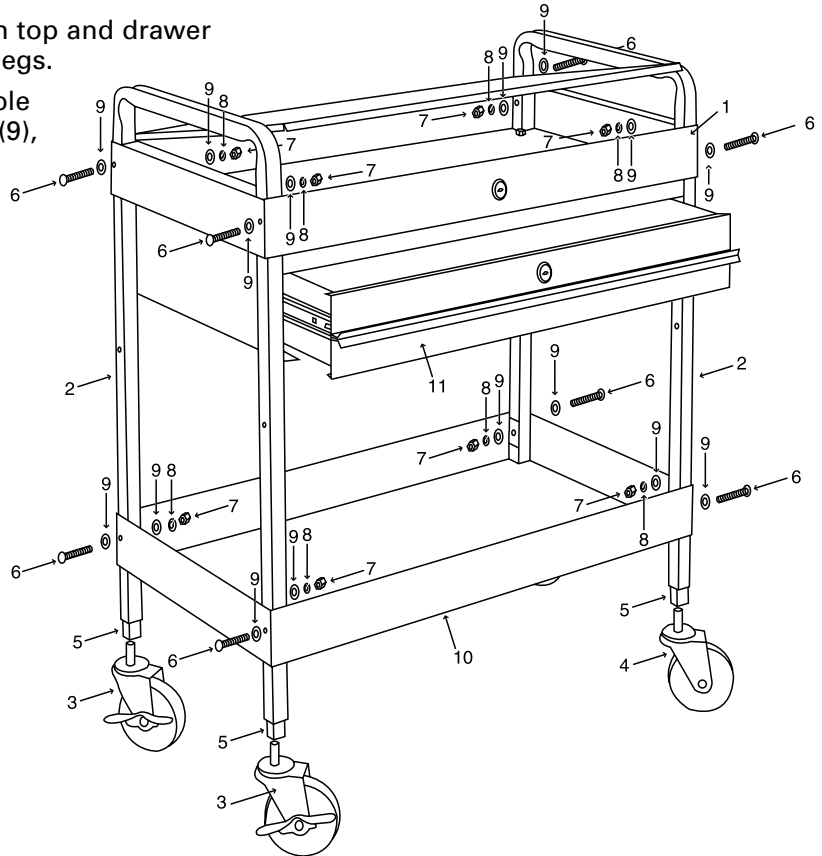
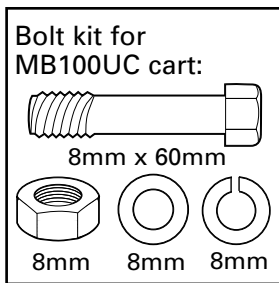
Step 2 Insert bolt (#6) with one flat washer (9) into hole on leg and tray. Fasten using one flat washer (9), lockwasher (8) and nut (7). Repeat this procedure on all four corners.

Step 3 Repeat Step 1 with bottom tray (#10) at bottom of legs.

Step 4 Repeat Step 2 with bottom tray (#10) at bottom of legs

Step 5 Insert wheels (#4) into the hole of plastic insert (#5).

NOTE: Insert the two locking wheels (#3) at the same end of the cart.



PARTS LIST

Item No.	Part No.	No. Req'd	Description
1	MBLT100	1	Replacement Locking Top and Shelf Unit for Red Cart
	MBLT100-BK		Replacement Locking Top and Shelf Unit for Black Cart
	MBLT100-BL		Replacement Locking Top and Shelf Unit for Blue Cart
	MBLT100-YE		Replacement Locking Top and Shelf Unit for Yellow Cart
2	RSSC7	2	Chrome Leg/ea.
3	RSSCPLW	2	Locking Casters/ea.
4	RSSCPW	2	Non-Locking Casters/ea.
5	SCPPI	1	Set of 4 Plastic Inserts
	RSSCPHK	1	Bolt Kit (Incl. 8 ea. of #6, 7, 8 and 16 ea. of 9)
10	RS8007	1	Replacement Tray for Red Cart
	RS8007BK		Replacement Tray for Black Cart
	RS8007BL3		Replacement Tray for Blue Cart
	RS8007Y		Replacement Tray for Yellow Cart

Item No.	Part No.	No. Req'd	Description
11	MBD100B	1	Add-a-Drawer Unit — Red
	MBD100B-BK		Add-a-Drawer Unit — Black
	MBD100B-BL		Add-a-Drawer Unit — Blue
	MBD100B-YE		Add-a-Drawer Unit — Yellow

NOTE: The locking top/drawer combination can be replaced by purchasing 1) the locking top & shelf unit and 2) the locking drawer in the appropriate color.

Also Available:

RS8006HDL	Drawer Handle (for Red, Black or Blue Cart)
RS8006HDLB	Black Drawer Handle for Yellow Cart
RS8006LK	Drawer Lock with Keys
RS8006LK2	Matching Locks for Drawer and Top/pr.
RSRBSLIDE-2	Clip-On Roller Bearing Slide/pr.
RS8008LK	Lock with Keys for MBSDRB, MBLKB-B
RS8002BR	Brace for locking top/ea. (with hardware)
RSDet8PK	Detents for Slides/8pk.

Copyright © Professional Tool Products, 2005
All rights reserved.