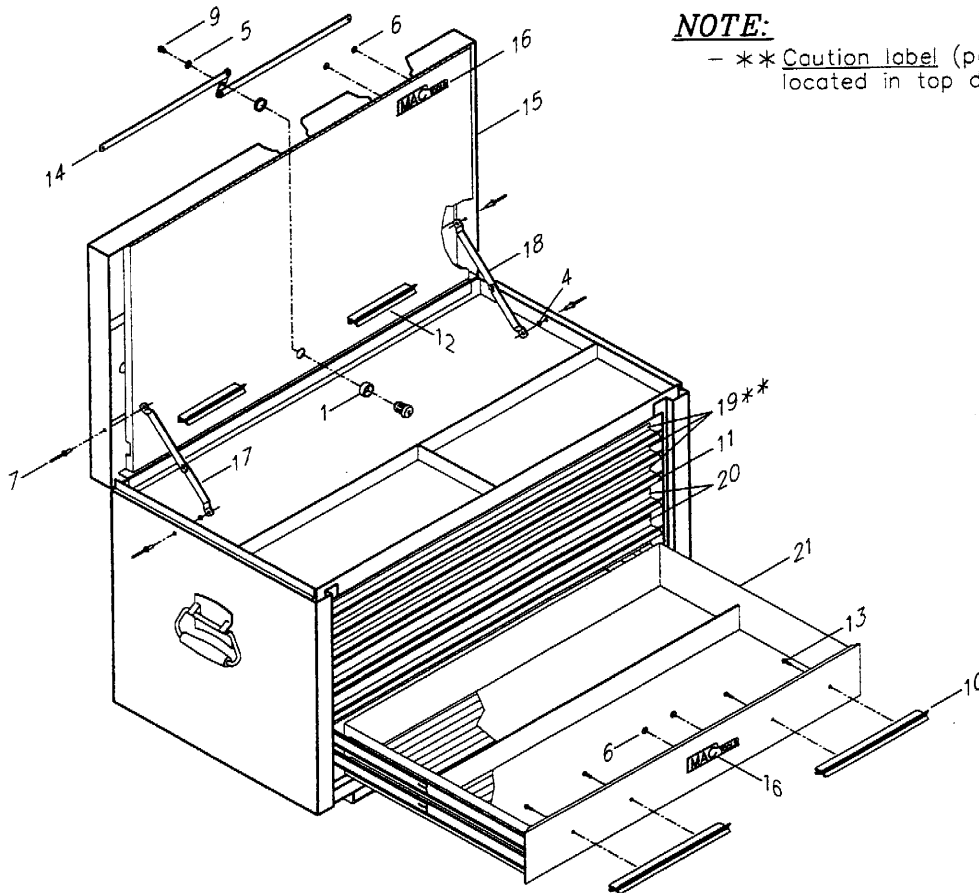


## MB9000 6 Drawer Drop Front Service Chest



**NOTE:**

- \*\* Caution label (part #8) is located in top drawer.

INDEX#	PART#	DESCRIPTION
1	MB85SR	LOCK SPACE RING (FORT)
2	XCH	SIDE LIFT CHEST HANDLE
3	XDT-16.250	DRAWER TRACK
4	XFW	FLAT WASHER
5	XLW	STAR WASHER FOR LOCK
6	XNPSN	N.P SPEED NUT 1/8 RD PUSH NUT
7	XSPR	STEEL POP RIVET
8	33442P	CAUTION LABEL
9	23655-03	5/16-18 X 1/2 HEX CAP SCREW
10	23673-04	HANDLE 7.479"
11	23673-12	HANDLE- 29.040"
12	23673-20	HANDLE 5.500"
13	23808	BOX TO SLIDE SCREW
14	30961	LOCK BEAM ASSEMBLY
15	31131	LID DROP FRONT ASSEMBLY
16	32396	TOOL BOX NAMEPLATE
17	34150	LEFT LID BRACE NEW DESIGN
18	34151	RIGHT LID BRACE NEW DESIGN
19	900A.01	TOP-2ND-3RD-DRAWER
19A, 20A, 21A	XTS-16.250	DRAWER TRACK SLIDE
20	900A.02	4TH-5TH DRAWER
21	900A.03	BOTTOM DRAWER